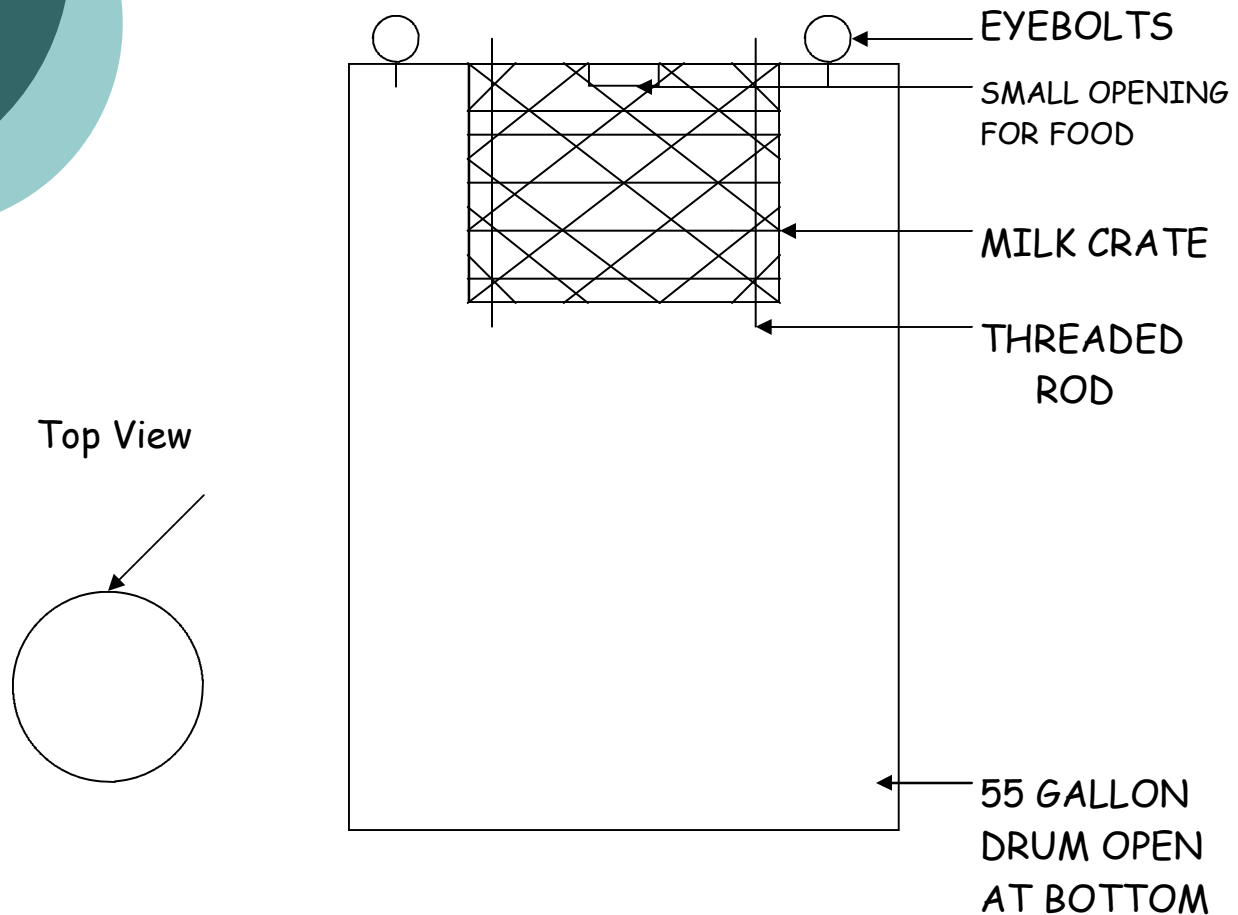


THE DOWN UNDER



MATERIALS NEEDED:

- 1—55 Gallon Drum
 - 4—3/8" wide threaded rods that are 14" long
 - 2—Eyebolts with washers and locking nuts
 - 1—Milkcrate
 - 8—3/8" locking washers
 - 8—3/8" locking nuts
- Drill and jig saw